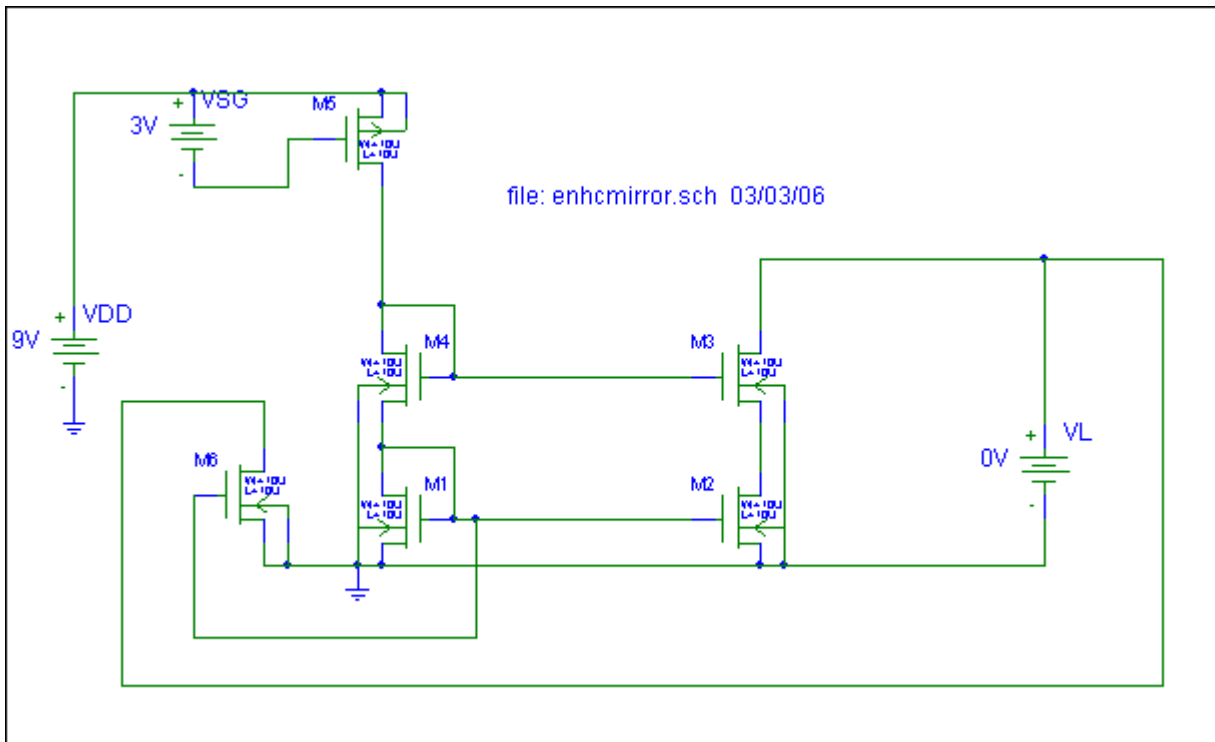
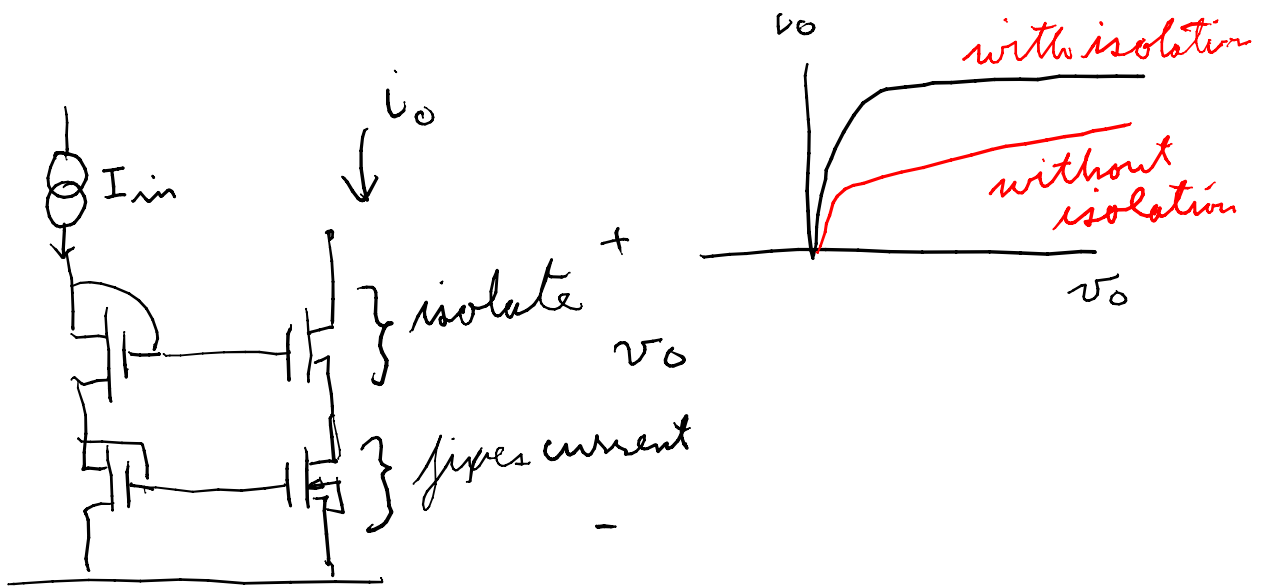
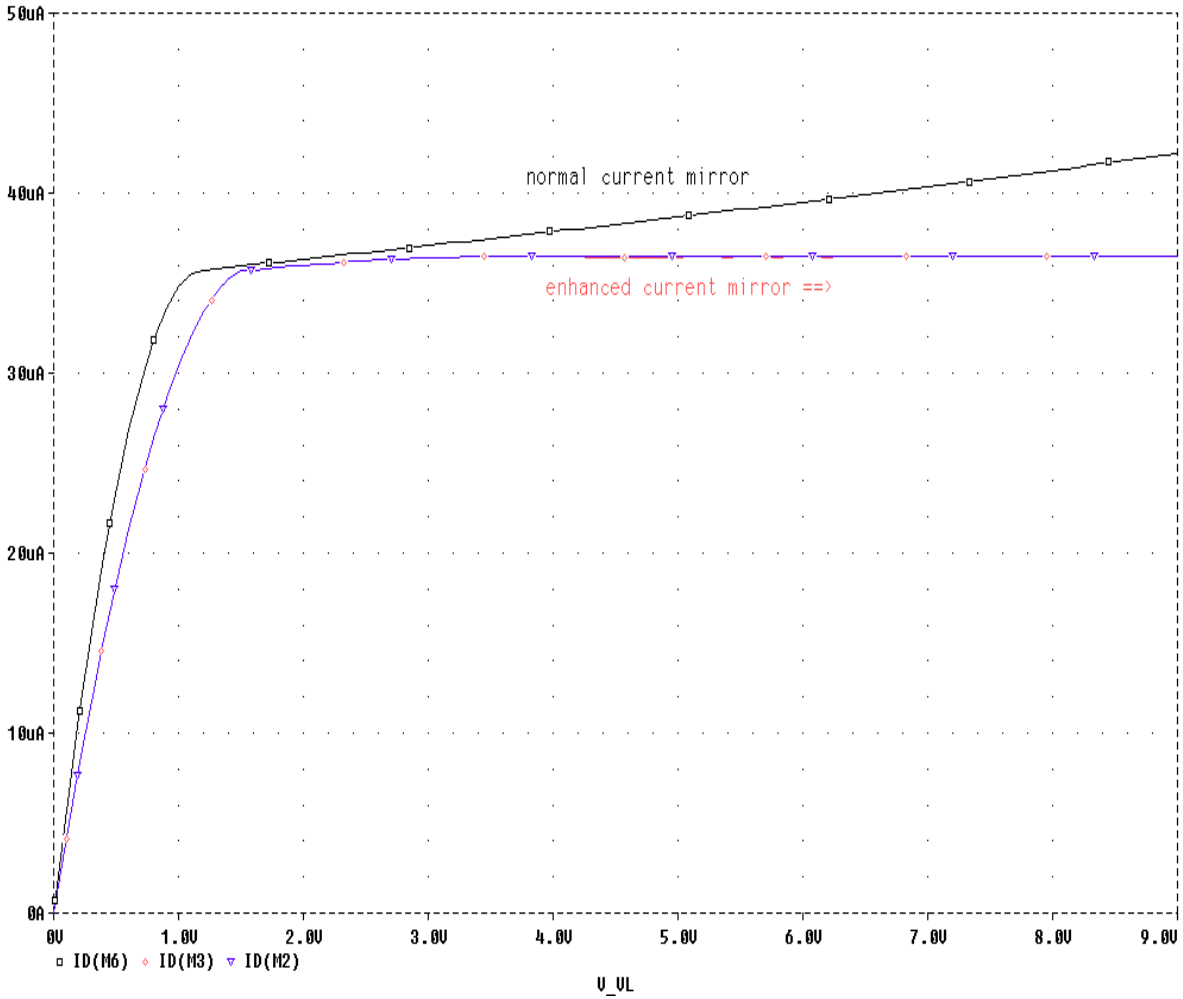
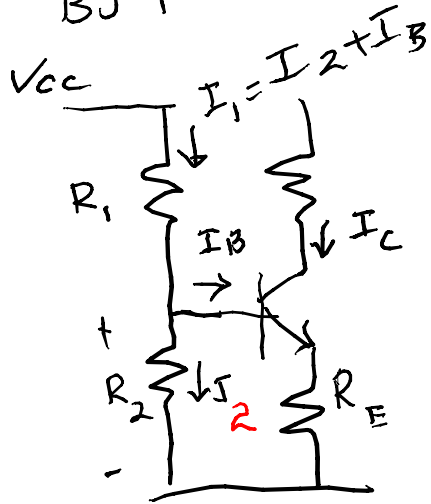


EE303
03/03/06





Biassing BJT



if know I_C then
we know I_B if
we know β

$$I_C \approx \beta I_B$$



fixes R_1 if choose R_2 & R_E

