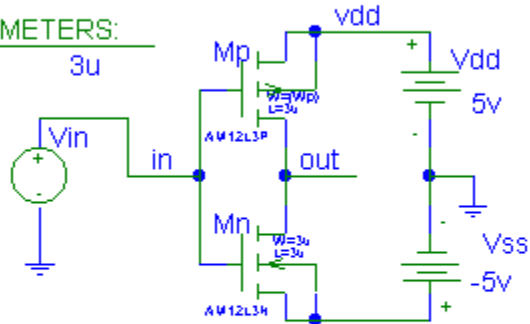


PSpice setup for CMOS inverter curves

PARAMETERS:

Wp 3u



setup: DC, $-5v \leq V_{in} \leq 5v$ in 0.01v steps
 parametric run over Wp
 use $9u \leq W_p \leq 13u$ in 2u steps

