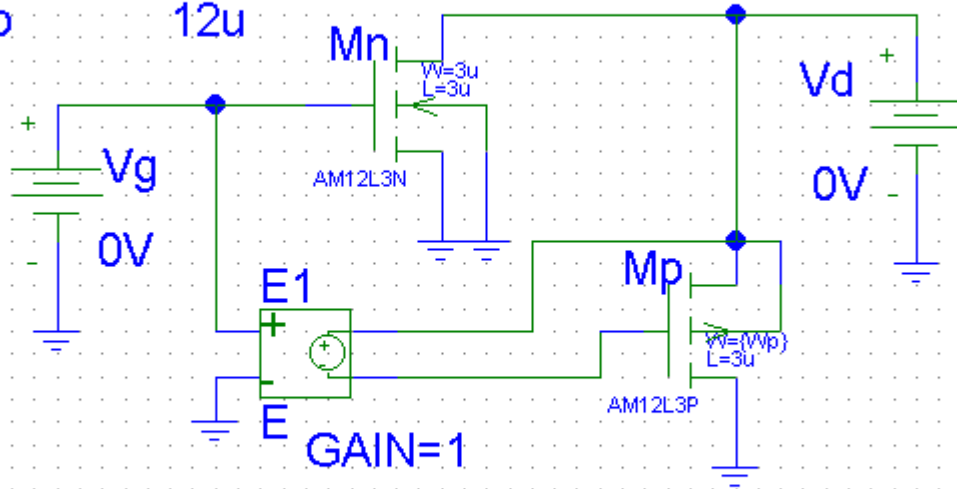


file: E:\CMOS_curves.sch RWN 02/19/02

PARAMETERS:

Wp

12u



DC sweep $0 \leq V_d \leq 0.5$ in 0.1v steps
nest with $0 \leq V_g \leq 5$ in 1v steps
To adjust PMOS=NMOS run parametric Wp

