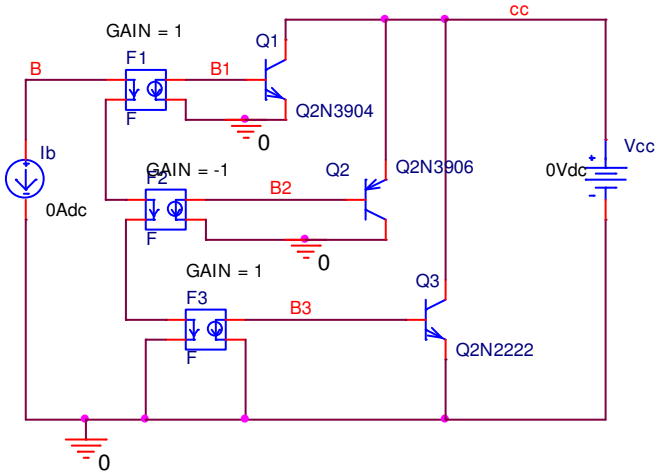
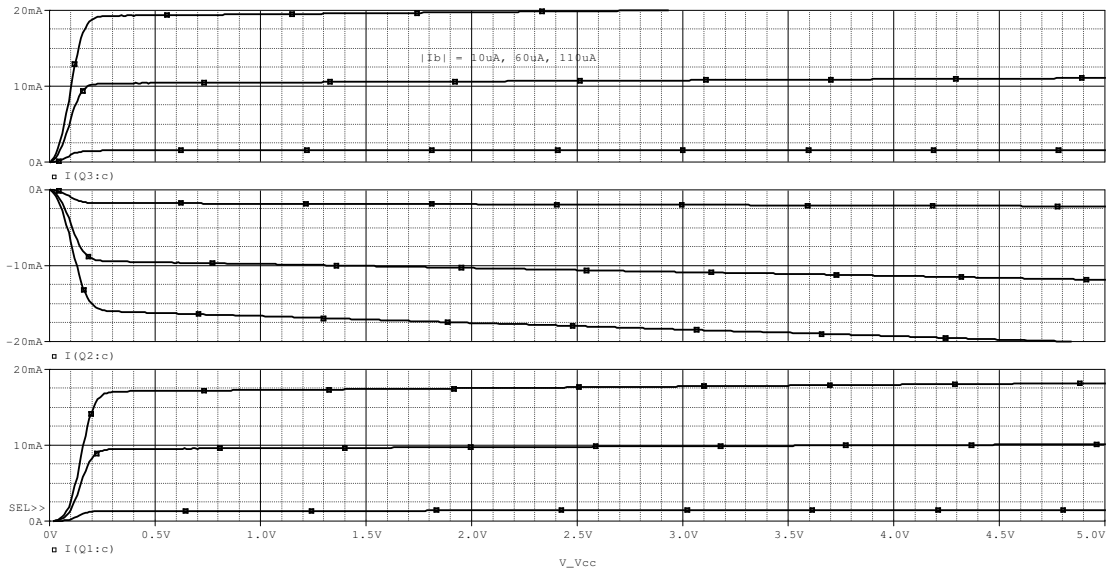


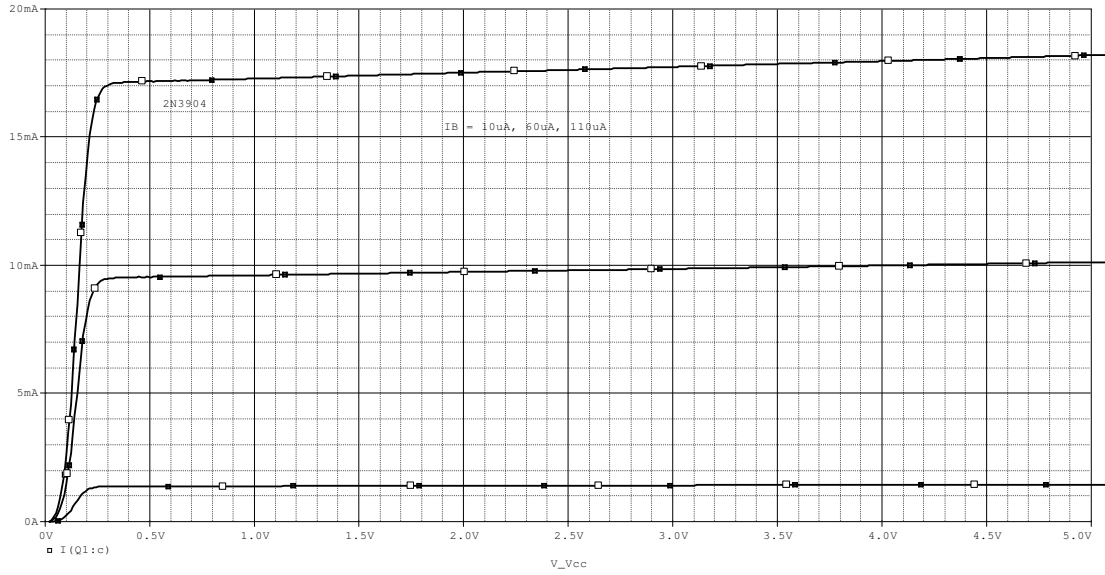
BJT curves for 2N3904 (NPN), 2N3906 (PNP & 2N2222 (NPN) for $|I_C|$ versus $|V_{CE}|$ with $|I_B|$ as a parameter



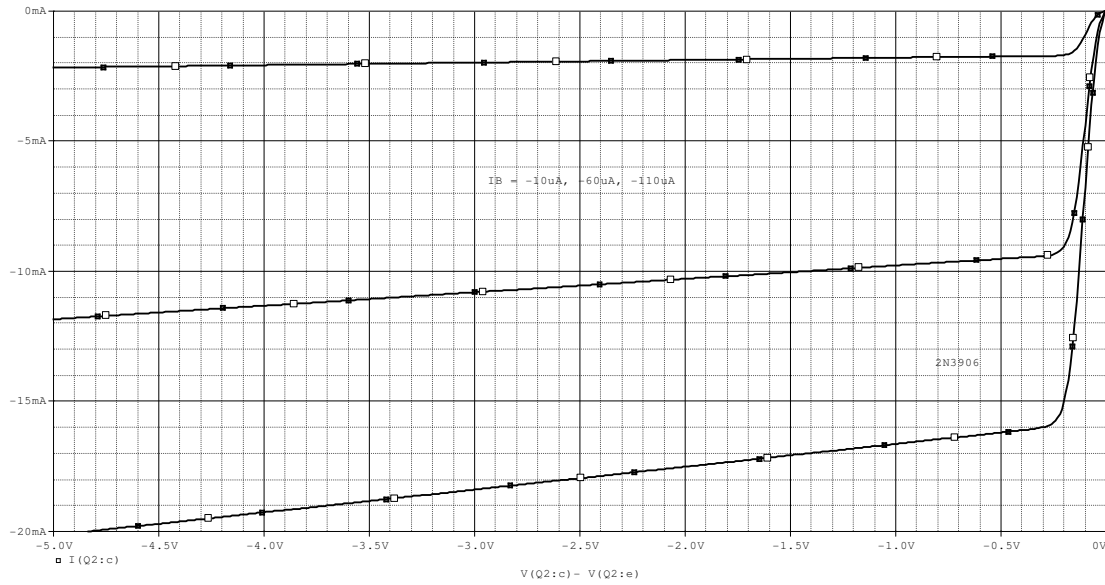
All three transistors on same $|V_{CE}|$ axis, $|I_B|=10\mu A$, $60\mu A$, and $110\mu A$



2N3904



2N3906



2N3904 & 2N3906 on same |VCE| axis

