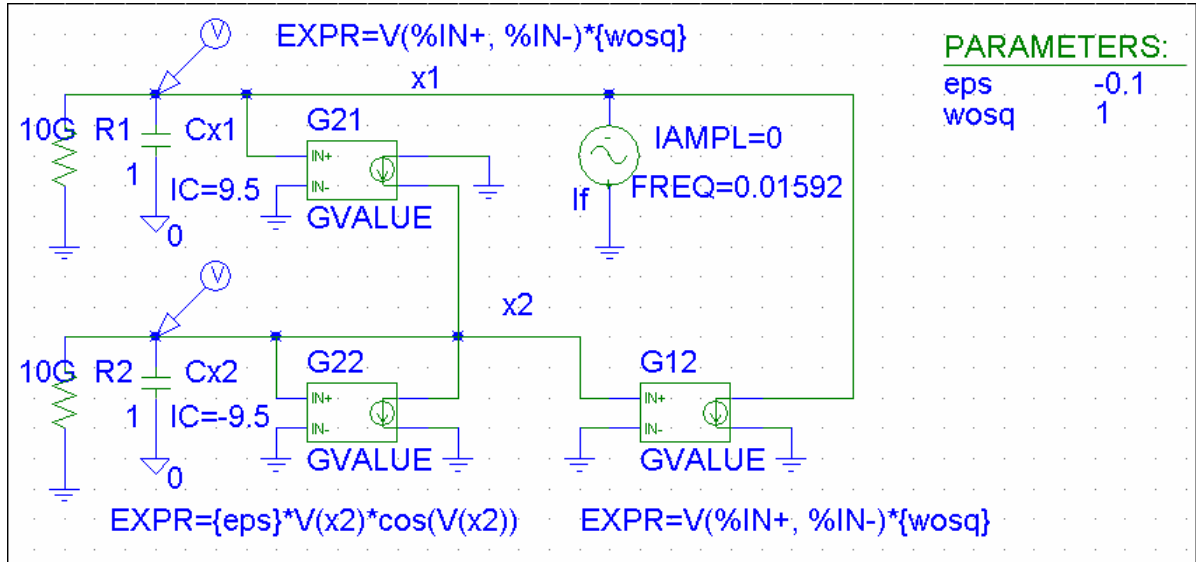


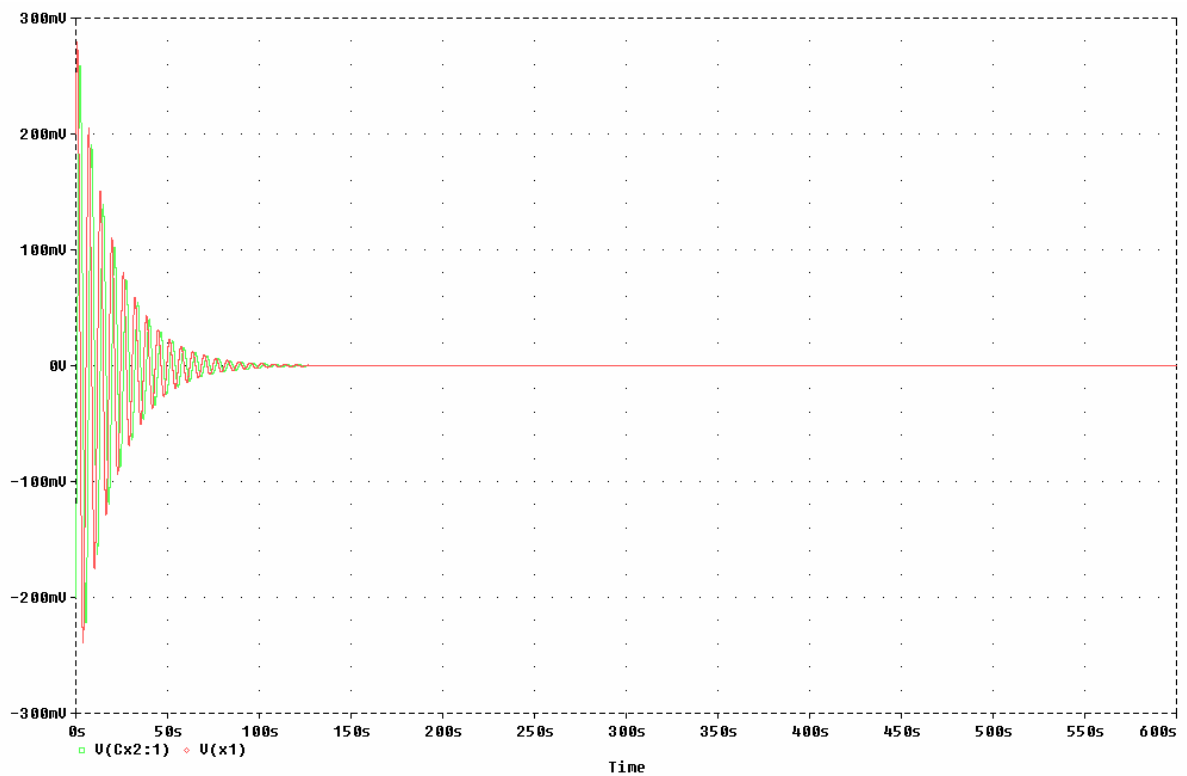
Problem1:

a)

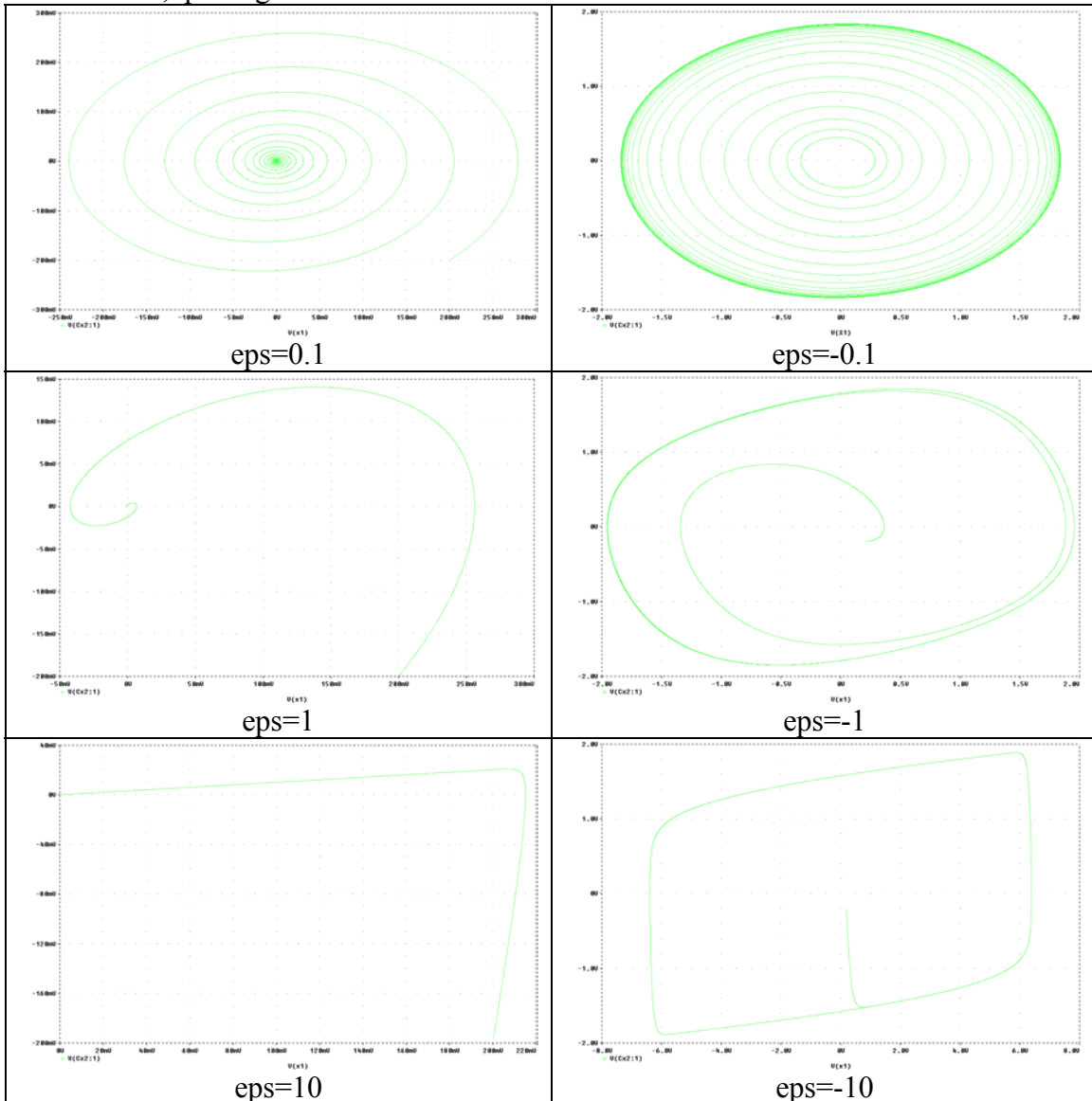
b) Set IAMPL=0 for part b) by changing the values of IC of the two capacitors to change the initial condition.



For $x1=0.2=-x2$:

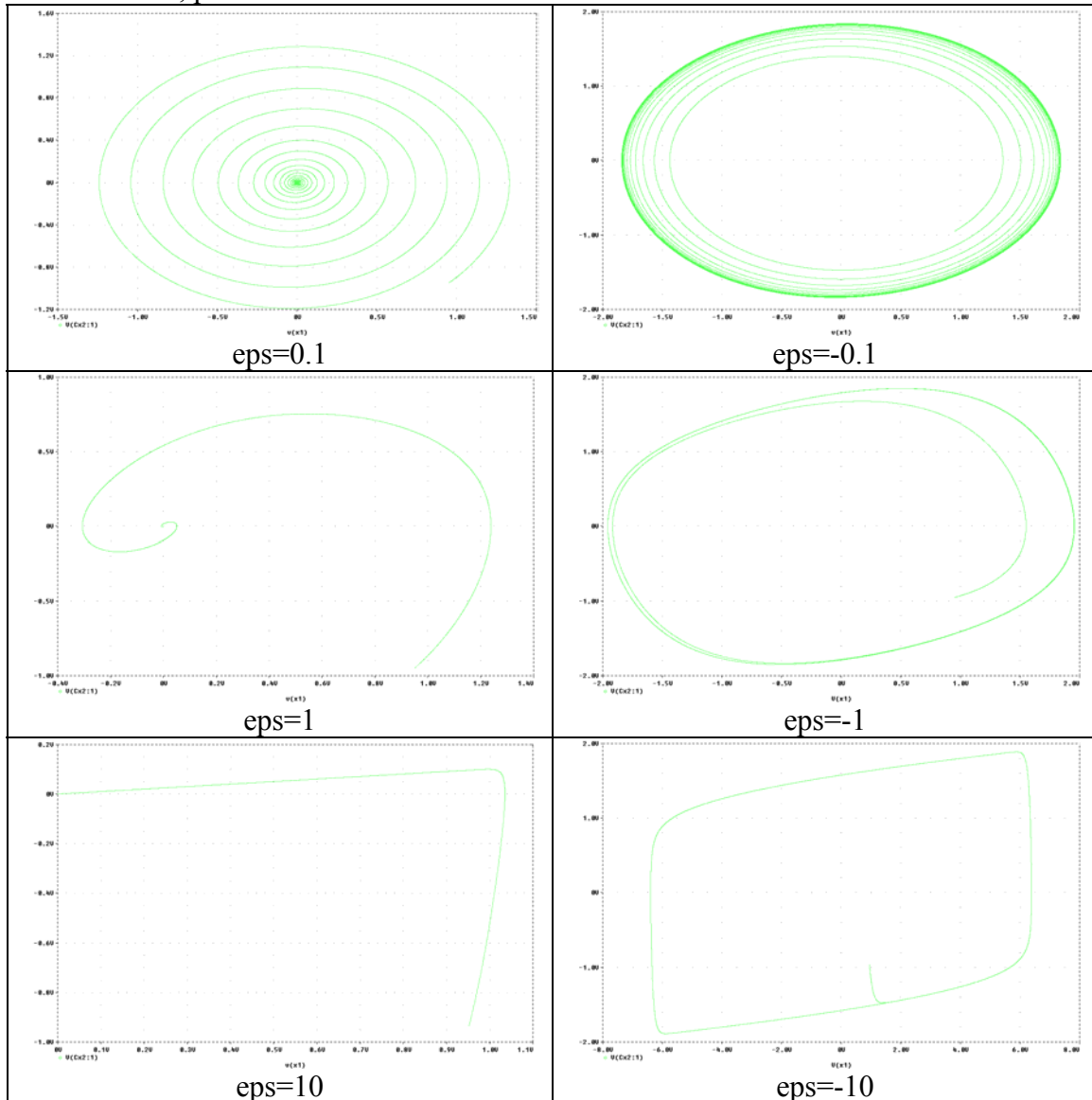


$x_1 = -x_2 = 0.2$, plotting x_2 vs. x_1 :

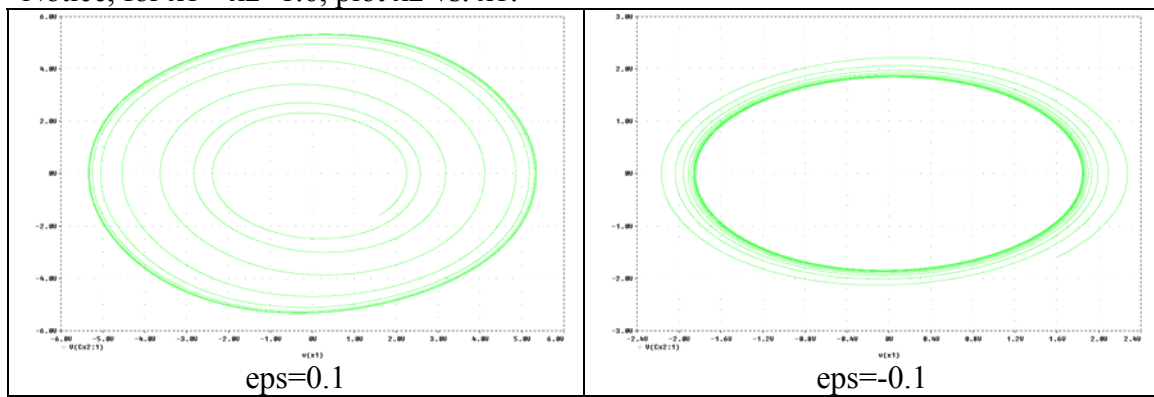


Fall all $\epsilon > 0$, both x_1 and x_2 settle at 0.

$x_1 = -x_2 = 0.95$, plot x_2 vs. x_1 :



Notice, for $x_1 = -x_2 = 1.6$, plot x_2 vs. x_1 :



c) Set $\text{IAMPL}=1$.